



TO PROTECT YOUR FAMILY

Methane or LPG gas detector

RGX100Q/Eg



The years of experience gained in the civil sector and the knowledge of the Market combined with the prestige that has distinguished **BEINAT**, have allowed the design and the production of the gas detector for civil use which has the prerogative to be able to detect through the **catalytic** sensor, Gas **Methane** or **LPG**.

Through the built-in relay, the **RGX100Q/Eg** can activate: solenoid valves, sirens, and any other device alarm.

A series of technical features make this gas detector extremely versatile, reliable, accurate, and safe.

Through an internal jumper it is possible to select the relay impulse functioning, to connect manual reset solenoid valves, or the continuous functioning, to activate class "A" solenoid valves and sirens.

The relay, free of voltage, allows installation of multiple detectors on a single solenoid valve ensuring control of multiple dangerous environments.

The detector is complete with a special **circuit that controls the catalytic sensor's efficiency level**, and signals any possible fault.

The enclosure with IP42 degree of protection can be installed either on the wall or on a 503 flush-mounted box.



Important: Assembly / maintenance of the appliance must be carried out by qualified personnel and in accordance with applicable laws and regulations.

The manufacturer assumes no responsibility for the use of products that have to comply with particular environmental and / or installation standards.



Important note

Before connecting the equipment, it is recommended that you read the instruction manual carefully and keep it for future reference. It is also recommended to perform the electrical connections correctly as per enclosed drawings, observing the instructions and the Standards.

N.B. Refer to the documentation in all cases where the symbol is on the side



The appliance assembly / maintenance operations must be carried out in the absence of mains voltage.



Guide use and installation

Please read these installation and use instructions carefully and keep them for future reference. The manufacturer reserves the right to introduce all the technical and constructive changes it deems necessary.

CONFORMITY



EN 50194
CEI 216-3
EN 50270

Precautions

CHECK the integrity of the probe after having removed it from the box.

Check that the data written on the box correspond to the type of gas used.

When doing the electrical connections, follow the drawing closely.

Any use of the detector for purposes other than the intended one is considered improper, and as a result of which **BEINAT S.r.l.** therefore disclaims any responsibility for possible damages caused to people, animals or objects.

INSTALLATION

When performing the installation, please remind that if you pierce the **RGX100Q/Eg** container, it will lose its properties and its conformity to REGULATIONS.

TERMS and EXPECTATIONS: The installation of the **RGX100Q/Eg** detector, its ordinary and extraordinary maintenance, and its out of service removal at the end of the functional life guaranteed by the manufacturer, must be carried out by **authorized and/or specialized personnel**.

Do not allow it to become wet.

The detector can be seriously damaged when immersed in water.

Do not drop it.

Heavy knocks or falls during transportation or installation can damage the appliance.

Avoid abrupt temperature fluctuations.

Sudden temperature variations can cause condensation and the probe could work poorly.

Cleaning

Never clean the device with chemical products. If necessary, wash with a moist cloth.

Absolutely avoid using any cloth dipped in thinners, alcohol and chemical detergents.

Disposal of the device

Concerning the conservation, the protection and the improvement of the quality of the environment, as well as for the protection of human health and the careful and rational use of natural resources, the device has to be the object of a selective collection for the disposal of electronic equipments and can not be disposed with the common domestic waste.

The user thus has the obligation to separate the device of the other waste to ensure that it is recycled in a sure way for preserving the environment. For more details on the sites that are involved in the collection, contact the local administration or the distributor of this product.

Technical Specifications

Power supply	230/240 VAC 50/60 Hz +/- 10%
Power consumption	3,1 W
Range of relay contact switching free of voltage	10A 250V resistive
Insulation	Class <input type="checkbox"/>
Types of gas detected	Natural Gas - for Natural gas LPG- for LPG model
Detection sensor	Catalytic
Alarm sensitivity	10% of L.E.L.
Precision of the detector	1% FS
Sensor's faults detected by Fault Circuit	Interruption, short circuit, or wear
Test Phase Duration	60 seconds
Audible and visual signal alarm by	LED diode and buzzer 85 dB at 1 m
Selection of relay working mode	through Jumper
Test buttons	built-in
Command electrovalve	class A o classe B
Functioning Temperature	-10°C to +40°C
Functioning Humidity	0÷90% RH not condensed
Degree of protection	IP42
Dimensions	120x80x37

Functional Features Of Gas Sensors

The installation of the **RGX100Q/Eg** detector, its ordinary and extraordinary maintenance, and its out of service removal at the end of the functional life guaranteed by the manufacturer, must be carried out by authorized and/or specialized personnel.

The CATALYTIC technology sensor duration is guaranteed for 6 years (in clean air).

The detector's functioning temperature ranges from **-10°C to + 40°C**.

WARNING!

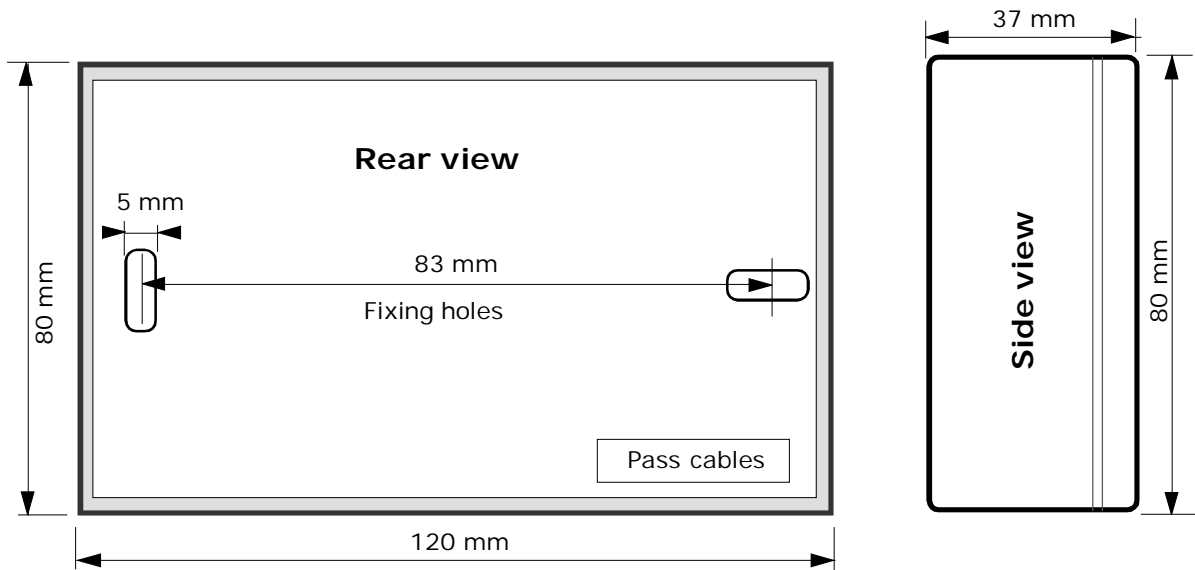
The CATALYTIC probe does not tolerate a gas detection exceeding **100% of L.E.L.**, with consequent natural death of the sensor.

Each immediate puff of gas that exceeds **100% of L.E.L.** takes away months of life from the sensor.

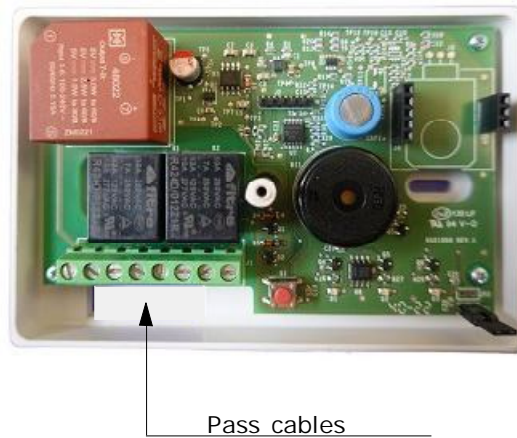
The detector must be tested by simulating the presence of gas by issuing it from a pre-calibrated testing aerosol.

A common cigarette lighter near the sensor does not guarantee excellent functioning.

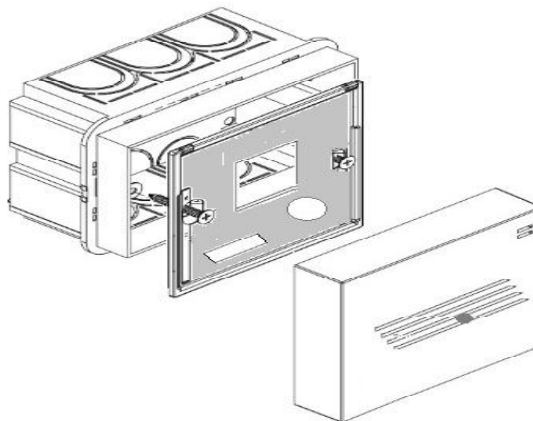
Dimensions



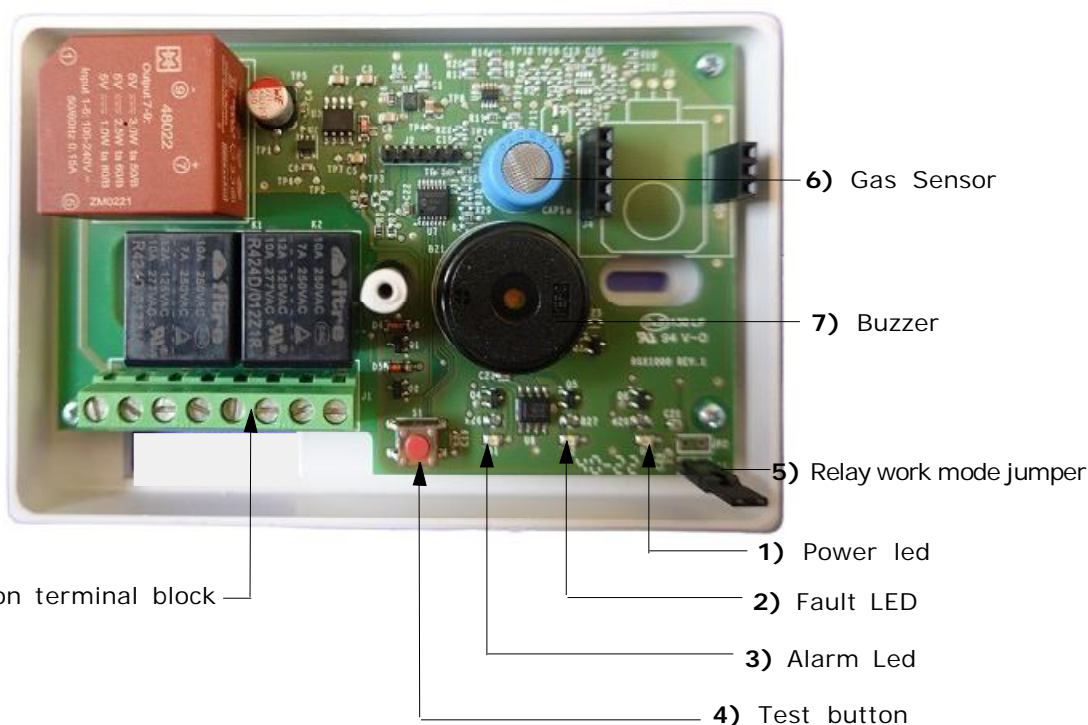
Wall installation



Installation on 503 box



The installation of the detector does not exempt from ... The compliance with all regulations concerning the characteristics, installation and use of gas appliances. The ventilation of the spaces and the elimination of combustion products are described in the **UNI norms according to ART. 3 LAW 1083 / 71** and relevant legal provisions.



- 1) MAINS connected indication LED (ON).
- 2) FAULT LED and decadence of the functioning period
If this LED turns on, it means that the gas detection catalytic sensor is not working efficiently and must be replaced by an authorized service center.
- 3) ALARM LED. This LED turns on when the amount of gas dispersed in the environment exceeds the danger threshold, 20% of the LEL
- 4) Test button. This button is used to simulate the operation of the detector, leds, relay and buzzer
- 5) JUMPER to select the relay functioning mode closing the two poles, the relay will work at pulse, in the sense that once tripped the alarm relay will close the C and NA contacts for about 90 seconds, and then will reopen them. This is needed to prevent damaging some types of manual reset solenoid valve coils. By opening the two poles, the relay will be set to continuous functioning.
- 6) Catalytic sensor for Methane or LPG explosive gas detection.
- 7) Buzzer. It emits a high-frequency sound when an alarm or fault occurs.
- 8) Connection terminal block. Used to connect the appliance to the power supply and the clean contacts of the two relays.

From the left:

- 1) Phase
- 2) Neutral
- 3) Alarm I NC
- 4) Alarm I C
- 5) Alarm I NO
- 6) Alarm II NC
- 7) Alarm II C
- 8) Alarm II NO

WARNING! Actions to be taken in case of alarm

- 1) Put out all free flames.
- 2) Close the main gas tap or the LPG cylinder tap.
- 3) Do not turn any lights on or off; do not turn on any electrical device or appliance.
- 4) Open windows and doors in order to increase ventilation.

If the alarm stops, its cause must be found and the relevant consequent measures taken.
If the alarm continues and the cause of gas presence cannot be found or removed, abandon the building and call the emergency services when outside (fire department, distributors, etc.)

Warning !!

If you have the following symptoms: vomiting, sleepiness, or else, go to the closest first aid station and inform the operators that you could have been poisoned by **Gas Methane or LPG**.



Installation measures and positioning

Currently national standards enforceable in the installation country covering the installation and use of gas powered equipment are to be respected, as are standards covering smoke dispersion and ventilation of enclosed areas, even though gas detection equipment is installed.

Essential element for the correct functioning of the detector is its correct installation.

Following the suggestions in this section you will get a high accuracy combined with a total absence of false alarms.

The **RGX100Q/Eg** is an equipment adapted to be mounted externally on a wall. Installing, it is fine to use ordinary care that requires an electronic device, and then:

- Install the detector away from sources of excessive heat.
- Avoid that liquids come into contact with the detector **RGX100Q/Eg**, remembering that its external structure has degree of protection **IP42**.

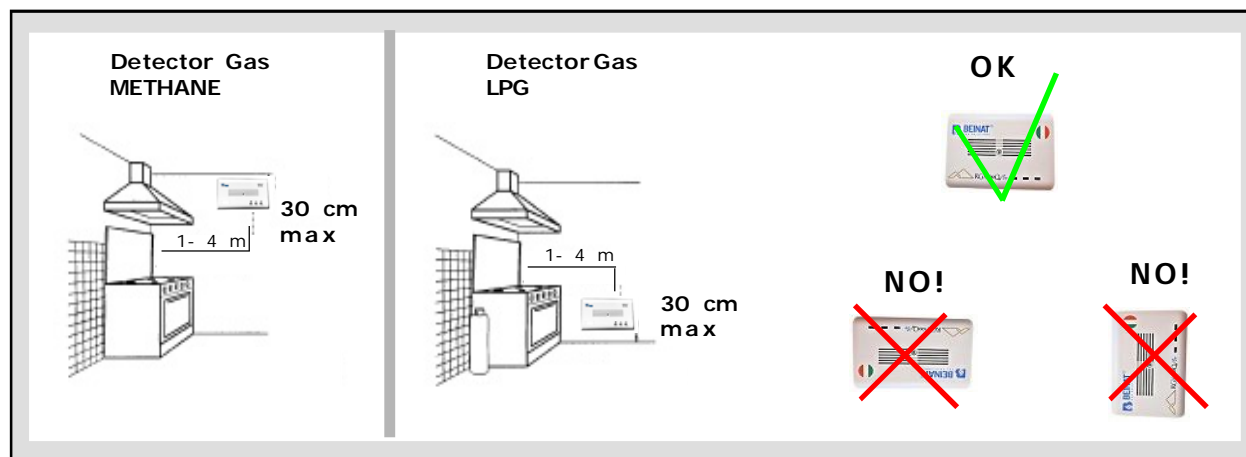
The detector should not be installed:

- in environments where the temperature drops below 10 ° C or rises above 40 ° C.

The detector is equipped to detect different types of gases, and according to these, its must to be positioned at different heights.

These heights are:

- **30 cm** from the lowest point of the floor in order to detect *heavy gases (LPG, etc)*
- **30 cm** from the highest point of the ceiling in order to detect *light gas (Methane etc)*
- Install detectors from 1 to 4 m from gas appliances



Turn on and testing

1) By providing the proper voltage with an external switch, which must be provided with safety fuses, you will see that the **POWER LED**, wait 60 seconds, after this time the **RGX100Q/Eg** is ready to detect.

2) Pressing the **TEST** button, you get the simulation of a gas leak and the detector performs the following actions: The **LED ALARM** will turn on and the relay will change its working state after 5 seconds. Ceased the alarm, the LED will turn off, it will stop the buzzer sound and the connected devices will be disabled.

* To complete the general test, emit gas from a calibration bottle pre-calibrated within 20% of the LEL.

Do a test with a common cigarette lighter could cause damage to the sensor.

We recommend that you make this test at least once a year.

WARNING



Before connecting to the mains power, ensure the voltage is correct. Carefully follow the instructions and the connections according to Regulations in force. An automatic disconnection switch (appropriately identified as the detector sectioning device) must be incorporated in the electrical system, suitably located and easily accessible.

Principle Schemes of the Detector

ATTENTION!

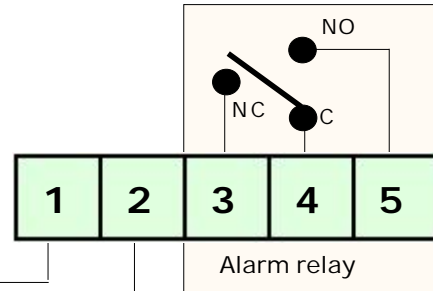
The relay is voltage free

Jumper for Relay working Mode

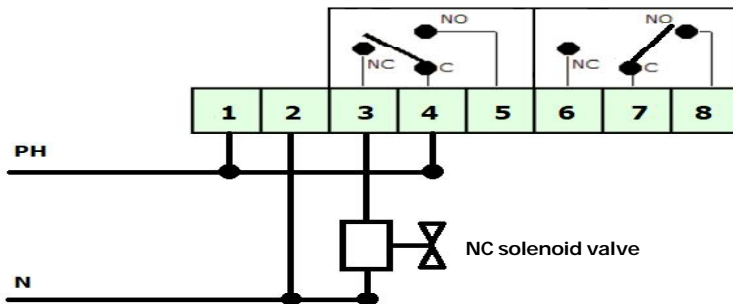
- 1) Closed the relay works in pulsed Mode. The pulse lasts 5 seconds
- 2) Opened the relay works in continuous mode



Ph — Power Supply
230 VAC
N —

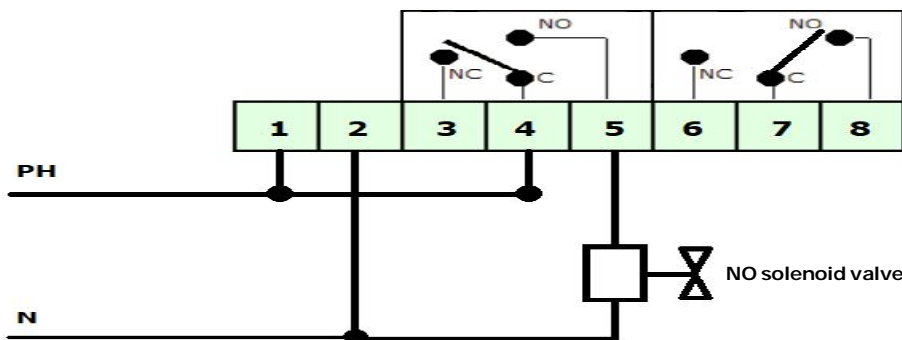


Connection diagrams with a normally close valve 230VAC 1st relay

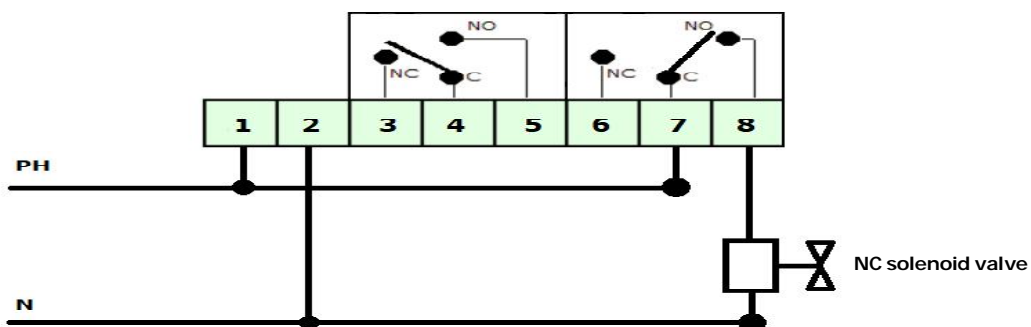


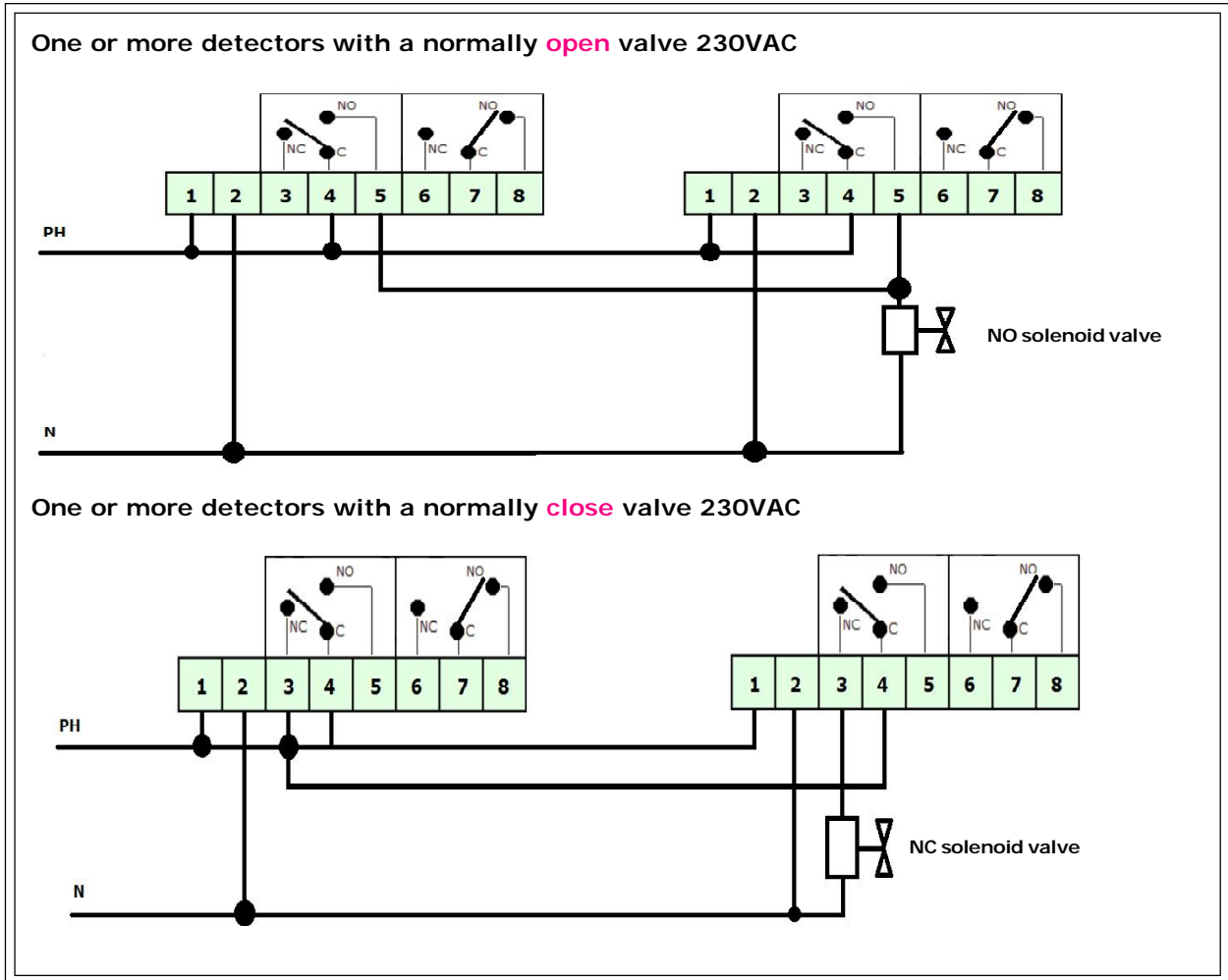
ATTENTION !
The relays are voltage free

Connection diagrams with a normally open valve 230VAC 1st Relay



Connection diagrams with a valve normally close 230VAC 2nd relay positive safety





Before calling a technician ...



- If the device does not start up.

Check that the 230/240 VAC power is correctly connected.

When the fault LED lights up

Check the capsule detector, the **RGX100Q/Eg** may have failed. It may be exhausted: after 5/6 years should be replaced.

If the detector goes into alarm repeatedly.

Check that there are no gas leaks. Check that together with the alarm does not turn on even the led FAULT, in this case, proceed with the inspection of the capsule detector.

If the detector goes into alarm and closes the connected equipment.

Check that connections are correct and that the jumper which leads to the common voltage of the relay has been carried out, **all the relays are voltage free.**

Check the scheme of connection

If RGX100Q/Eg is connected to a Solenoid valves 12V.cc and does not work.

To **RGX100Q/Eg**-you can not connect directly solenoid valves, sirens in 12V DC. It must always to use to an external supply.

Do not tamper with the detector

In order not to cause decalibration of the device and electric shock.

If other problems arise, it is necessary to call a specialised and/or authorised technician and/or the **Distributor** of **BEINAT S.r.l.** should be contacted directly.

INSURANCE. This device is insured by the SOCIETÀ REALE MUTUA for the PRODUCT'S GENERAL LIABILITY up to a maximum of 1,500,000.00 EURO against damages caused by the device in case of failures in functioning.

WARRANTY. The warranty term is 3 years from manufacturing date, in agreement with the following conditions. The components acknowledged as faulty will be replaced free of charge, excluding the replacement of plastic or aluminium cases, bags, packing, batteries and technical reports.

The device must arrive free of shipment charges to **BEINAT S.r.l.**

Defects caused by unauthorized personnel tampering, incorrect installation and negligence resulting from phenomena outside normal functioning shall be excluded from the warranty.

BEINAT S.r.l. is not liable for possible damage, direct or indirect, to people, animals, or things; from product faults and from its enforced suspension of use.



DISPOSAL OF OLD ELECTRICAL & ELECTRONIC EQUIPMENT

This symbol on the product or its packaging to indicates that this product shall not be treated as household waste. Instead, it shall be handed over to the applicable collection point for the recycling of electrical and electronic equipment, such as for example:

- sales points, in case you buy a new and similar product
- local collection points (waste collection center, local recycling center, etc...)

By ensuring this product is disposed of correctly, you will help prevent potential negative consequence for the environment and human health, which could otherwise be caused by inappropriate waste handling of this product. The recycling of materials will help to conserve natural resources. For more detailed information about recycling of this product, please contact your local city office, your household waste disposal service or the shop where you purchased the product.

Attention: In some countries of the European Union, the product is not included in the field of application of the National Law that applies the European Directive 2002/96/EC and therefore these countries have no obligation to carry out a separate collection at the "end of life" of the product.



Detector RGX100Q/Eg *Lo styling è della b & b design*


Dealer Stamp

Purchase Date:

Registration Number:

Beinat S.r.l. following the targhet to improve its products, reserves the right to modify the technical features, aesthetic and functional any time without prior notice..

BEINAT S.r.l.
Via Fatebenefratelli 122/C 10077, S. Maurizio C/se (TO) - ITALY
Tel. 011.921.04.84 - Fax 011.921.14.77
[http:// www.beinat.com](http://www.beinat.com)

 **Business** - info@beinat.com
Help Desk - laboratorio@beinat.com